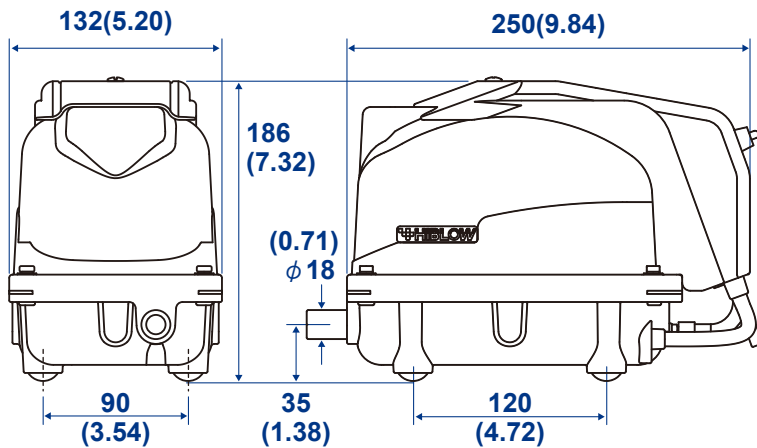


## XP-40A, 60A, 80A

Small & medium capacity air pump

### Dimensions

[Unit: mm(inch)]



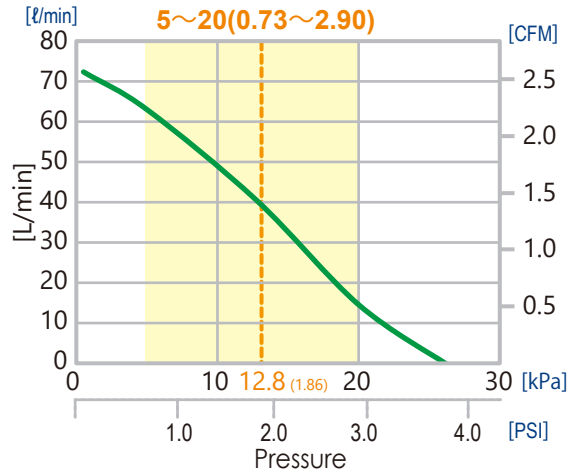
### Specifications

		XP-40A	XP-60A	XP-80A
Rated Voltage	V	AC120		
Power Supply Frequency	Hz	60		
Rated Loading Pressure	kPa	12.8	14.7	
Airflow Volume	ℓ/min	40	60	80
Power Consumption	W	24	40	64
Noise Level	dBA	30	35	
Weight	kg	4.1	4.3	
Pressure range for use	kPa	5~20	5~23.5	5~27.5

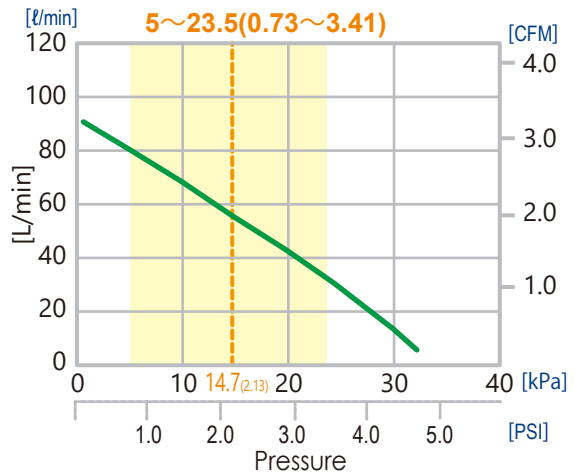
### Performance Curves

--- Rated Loading Pressure [kPa(PSI)]  
 — 60Hz    Pressure range for use

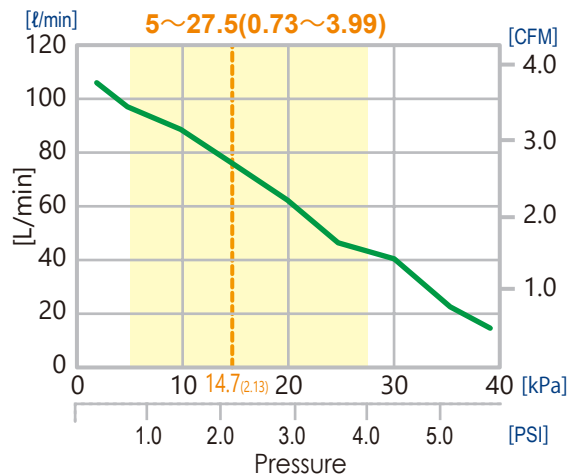
#### XP-40A



#### XP-60A



#### XP-80A



- Flow measured in Normal(NL/min)
- Performance data is representative of typical values. Specifications and performance data are subject to change without notice. Purchaser is responsible for determining suitability for product applications
- "HIBLOW" is a registered mark of Techno Takatsuki co., Ltd.