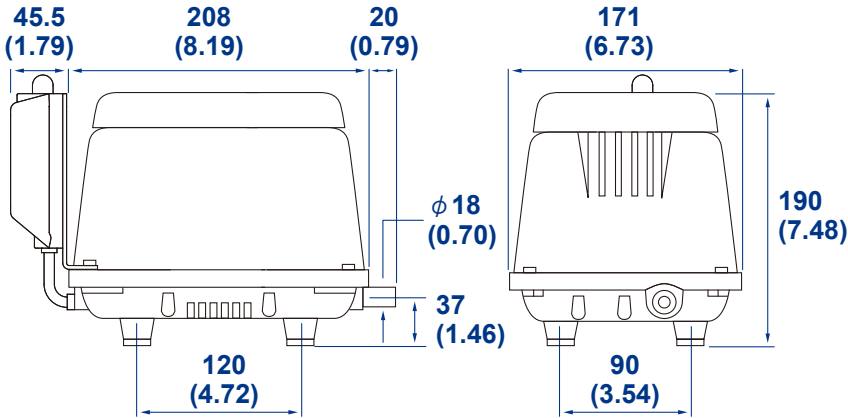


HP-40A

PRESSURE TYPE

Dimensions

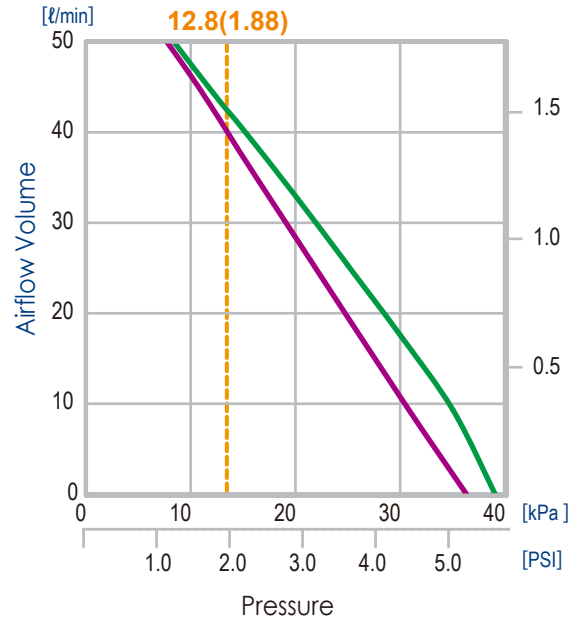
[Unit: mm(inch)]



Performance Curves

--- Rated Loading Pressure [kPa(PSI)]
 — 50Hz — 60Hz

HP-40A



Specifications

		HP-40A	
Rated Voltage	V	AC110-120	
Power Supply Frequency	Hz	50	60
Rated Loading Pressure	kPa	12.8	
Airflow Volume	ℓ/min	40	
Power Consumption	W	38	
Noise Level	dBA	32	
Weight	kg	6.1	

- Flow measured in Normal(NL/min)
- Performance data is representative of typical values. Specifications and performance data are subject to change without notice. Purchaser is responsible for determining suitability for product applications
- "HIBLOW" is a registered mark of Techno Takatsuki co., Ltd.