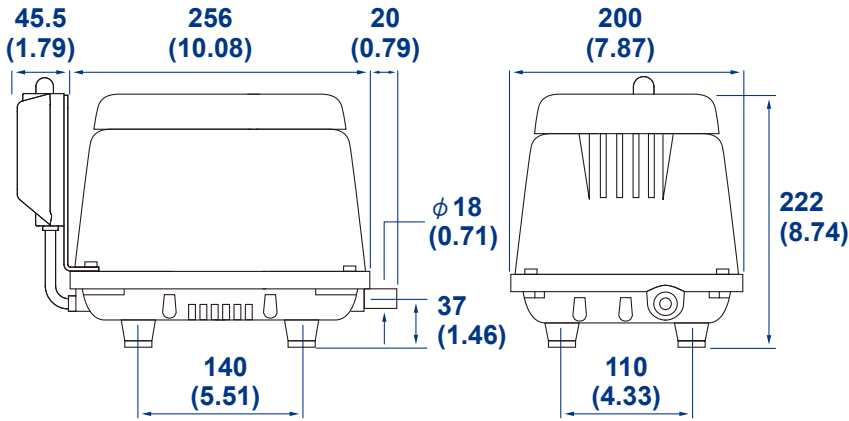


# HP-150A, 200A

PRESSURE TYPE

## Dimensions

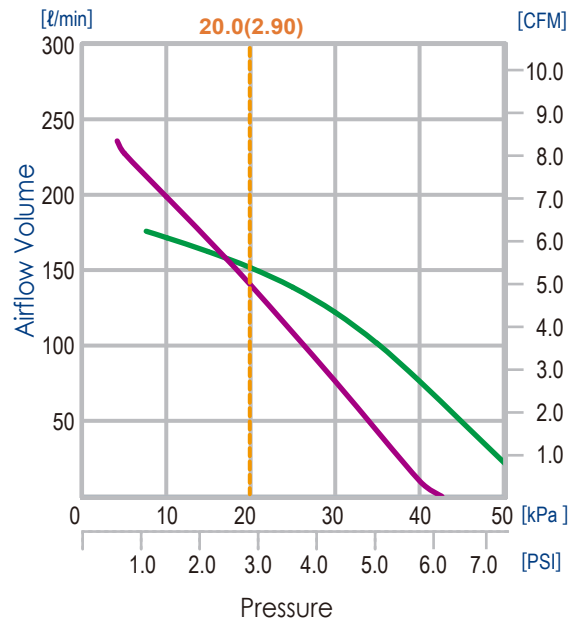
[Unit: mm(inch)]



## Performance Curves

--- Rated Loading Pressure [kPa(PSI)]  
 — 50Hz — 60Hz

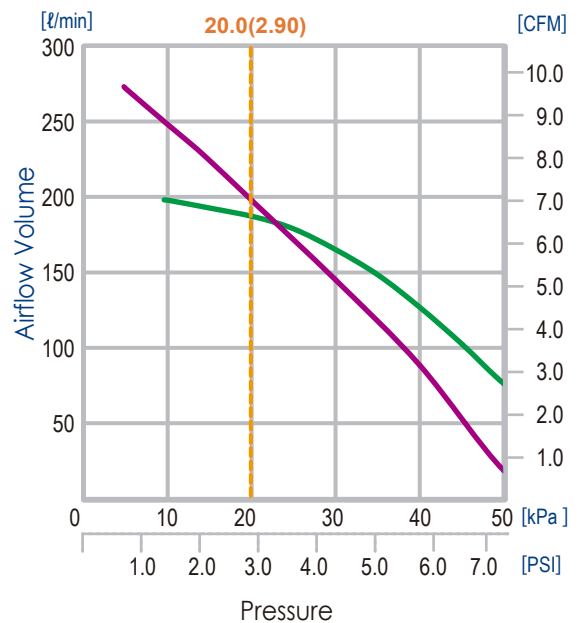
### HP-150A



## Specifications

		HP-150A		HP-200A	
Rated Voltage	V	AC110-120			
Power Supply Frequency	Hz	50	60	50	60
Rated Loading Pressure	kPa	20.0			
Airflow Volume	ℓ/min	150		200	
Power Consumption	W	125	155	210	250
Noise Level	dB(A)	45	47	46	48
Weight	kg	9.0			

### HP-200A



- Flow measured in Normal(NL/min)
- Performance data is representative of typical values. Specifications and performance data are subject to change without notice. Purchaser is responsible for determining suitability for product applications
- "HIBLOW" is a registered mark of Techno Takatsuki co., Ltd.