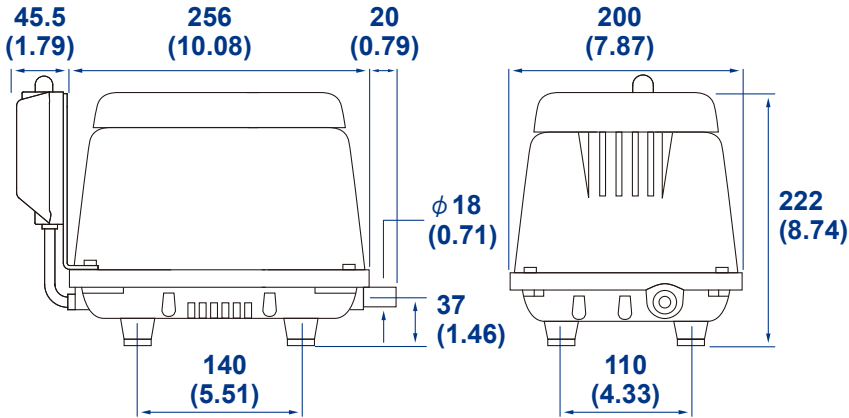


HP-100LLA, 120LLA

PRESSURE TYPE

Dimensions

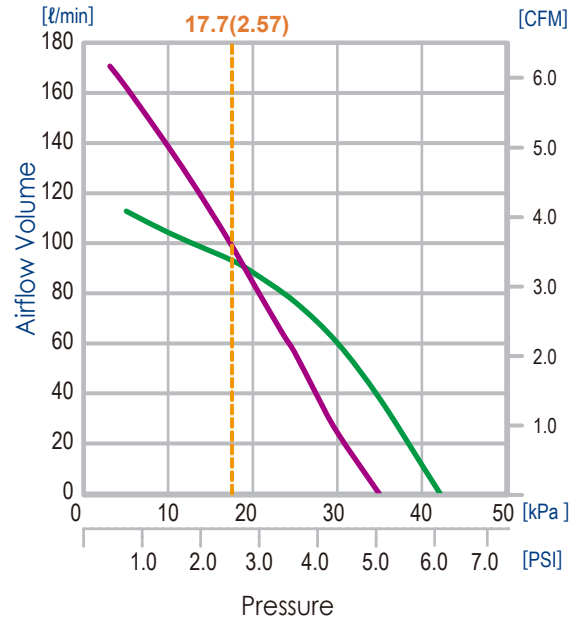
[Unit: mm(inch)]



Performance Curves

--- Rated Loading Pressure [kPa(PSI)]
 — 50Hz — 60Hz

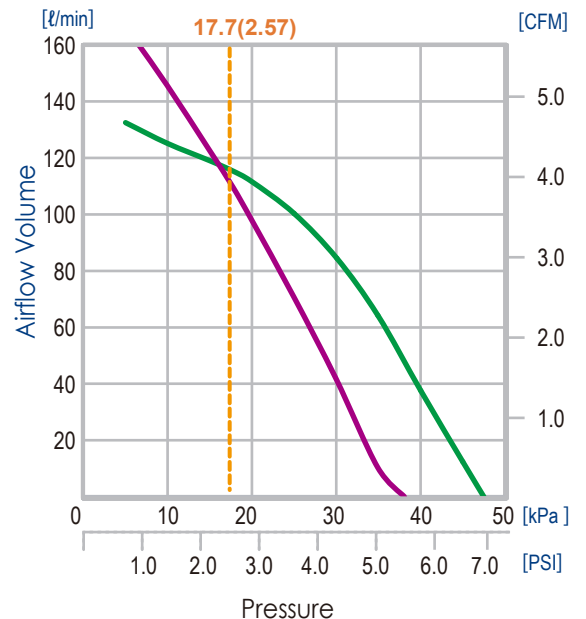
HP-100LLA



Specifications

		HP-100LLA	HP-120LLA
Rated Voltage	V	AC110-120	
Power Supply Frequency	Hz	60	50 : 60
Rated Loading Pressure	kPa	17.7	
Airflow Volume	ℓ/min	100	120
Power Consumption	W	75	90 : 100
Noise Level	dB(A)	42	
Weight	kg	9.4	

HP-120LLA



- Flow measured in Normal(NL/min)
- Performance data is representative of typical values. Specifications and performance data are subject to change without notice. Purchaser is responsible for determining suitability for product applications
- "HIBLOW" is a registered mark of Techno Takatsuki co., Ltd.