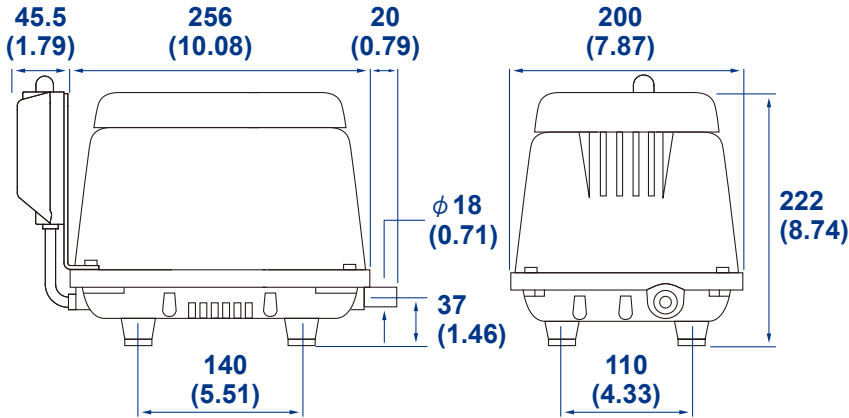


HP-100A, 120A

PRESSURE TYPE

Dimensions

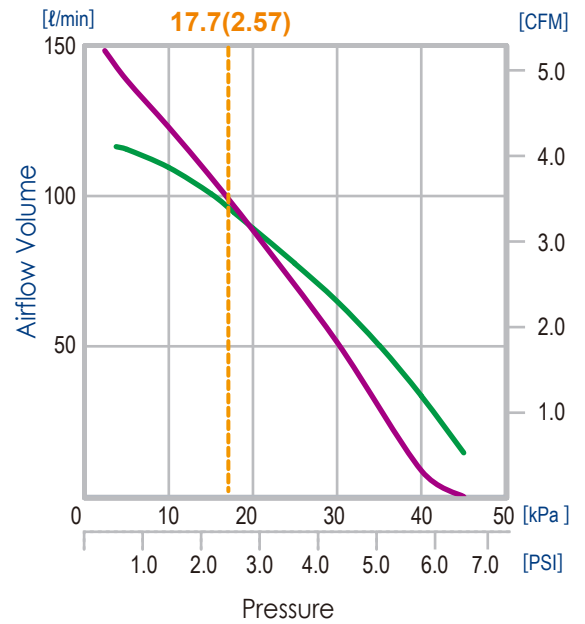
[Unit: mm(inch)]



Performance Curves

--- Rated Loading Pressure [kPa(PSI)]
 — 50Hz — 60Hz

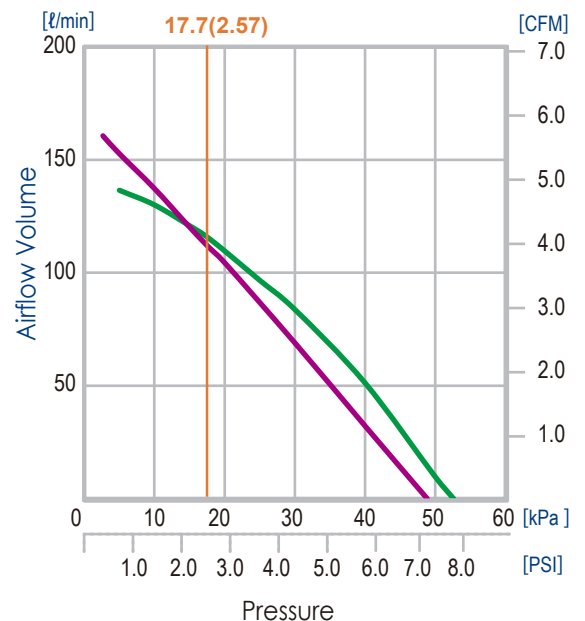
HP-100A



Specifications

		HP-100A		HP-120A	
Rated Voltage	V	AC110-120			
Power Supply Frequency	Hz	50	60	50	60
Rated Loading Pressure	kPa	17.7			
Airflow Volume	ℓ/min	100		120	
Power Consumption	W	95	100	115	125
Noise Level	dBA	38		40	
Weight	kg	8.9			

HP-120A



- Flow measured in Normal(NL/min)
- Performance data is representative of typical values. Specifications and performance data are subject to change without notice. Purchaser is responsible for determining suitability for product applications
- "HIBLOW" is a registered mark of Techno Takatsuki co., Ltd.