

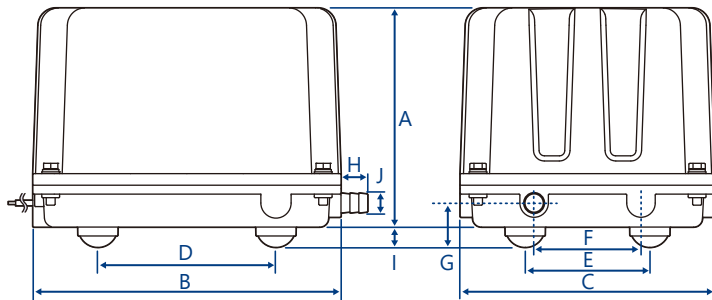
KP-4020, 5030, 6035

PRESSURE TYPE

Flexible Port Locations



Dimensions



	A	B	C	D	E	F	G	H	I	J
mm	123	173	143	100	70	60	25	15	11.4	∅11
inch	4.84	6.81	5.63	3.94	2.76	2.36	0.98	0.59	0.45	0.43

*The figure represents the standard configuration. Customization of nozzle position is available.

Specifications

		KP-4020		KP-5030		KP-6035	
Rated voltage	V	AC120	AC230	AC120	AC230	AC120	AC230
Power frequency	Hz	60	50	60	50	60	50
Max Airflow volume	L/min	37	37	44	43	50	45
Max Power consumption	W	18	16	27	23	35	24
Sound level	dBA	31	28	34	32	36	34
Weight	kg	3.8					

*All characteristics values are only for reference, and are not guaranteed values.
*Sound data shown is with pump operating at 10 kPa and exhaust plumbed away from the unit.

- Performance data is representative of typical values. Specifications and performance data are subject to change without notice. Purchaser is responsible for determining suitability for product applications
- "HIBLOW" is a registered mark of Techno Takatsuki co., Ltd.

Performance Curves

— 120V/60Hz — 230V/50Hz

