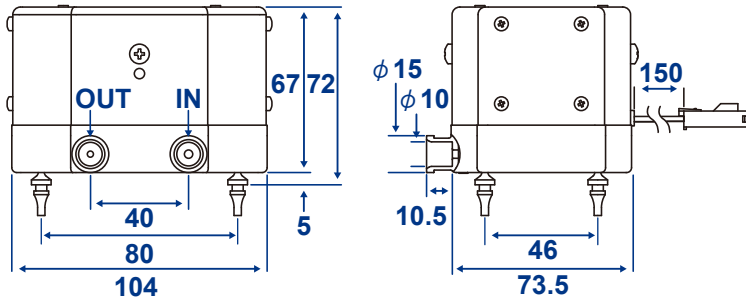


FC-1020

Dimensions

[Unit: mm]

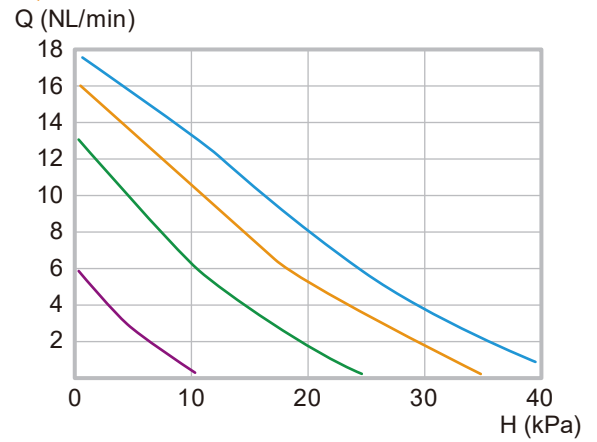


Performance Curves

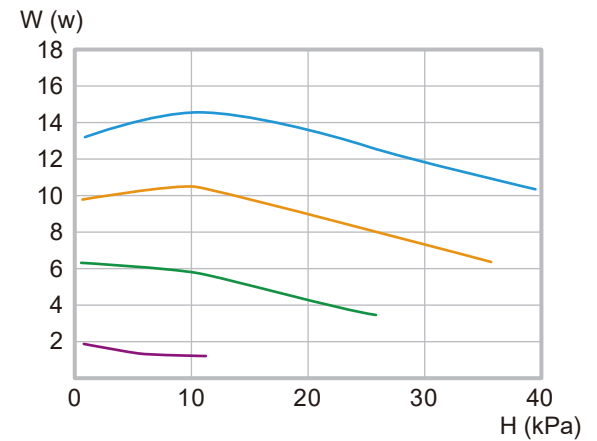
CONTROL VOLTAGE

— 2V — 3V — 4V — 5V

Q-H



W-H



* Above datas are reference for catalogue.
* Materials may be modified without notice.

Specifications

Fluid	Air	
Rated Voltage	AC17V	
Frequency	60Hz	
	Pressure	Airflow
Rated Operating Cond.	6kPa(60mbar)	4NL/min
Max Operating Cond.	12kPa(120mbar)	10NL/min
Min Operating Cond.	5kPa(50mbar)	2NL/min
Power Consumption	3.0W (*1)	
Noise Level	30dBA or less (*1)	
Size	0.72L	
Weight	0.75kg	

* Performance curves mentioned above are reference values by operation with Airtronics control driver.
<Characteristics> *1 : Without Airtronics control driver.

- Performance data is representative of typical values. Specifications and performance data are subject to change without notice. Purchaser is responsible for determining suitability for product applications
- "HIBLOW" is a registered mark of Techno Takatsuki co., Ltd.