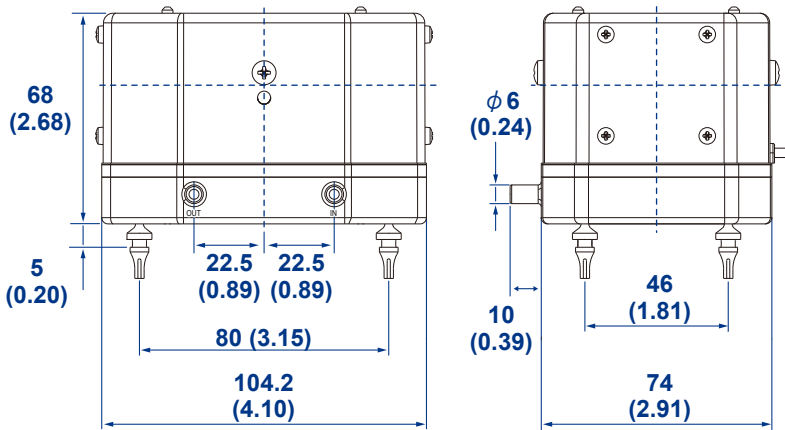


# CD-8

VACUUM & PRESSURE TYPE

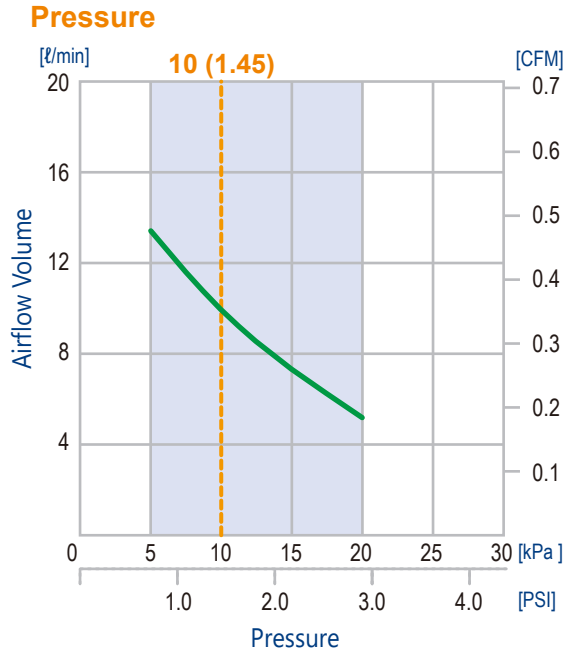
## Dimensions

[Unit: mm(inch)]



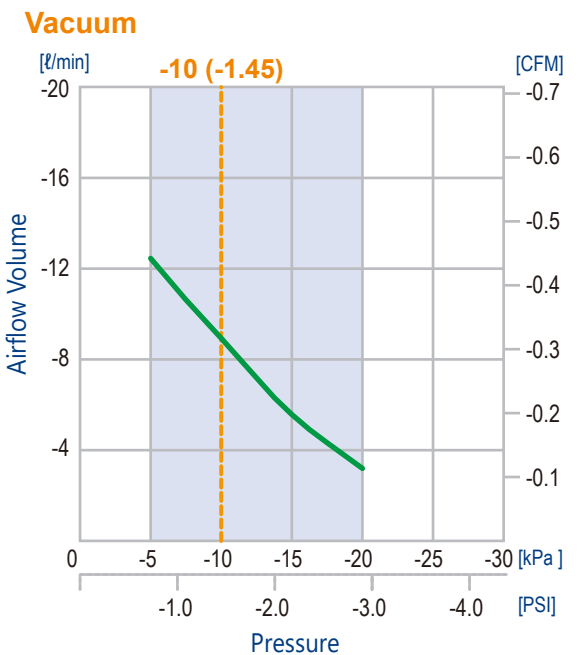
## Performance Curves

Working Pressure Range  
(Pressure: 5~20kPa / Vacuum: -5~-20kPa)



## Specifications

		Pressure	Vacuum
Rated Voltage	V	AC120	
Power Supply Frequency	Hz	60	60
Rated Loading Pressure	kPa	10	-10
Airflow Volume	l/min	11.5	-9.8
Power Consumption	W	8.5	8.0
Noise Level	dBA	34	34
Weight	kg	0.74	



• Performance data is representative of typical values.  
 Specifications and performance data are subject to change without notice.  
 Purchaser is responsible for determining suitability for product applications  
 • "HIBLOW" is a registered mark of Techno Takatsuki co., Ltd.